

Single Line Panel

For the local indoor installation of online analytics for a single water or steam sample. The system provides 40-50l/h of cooled sample at a constant pressure of 0.5bar. See "Requirements" for technical constraints.

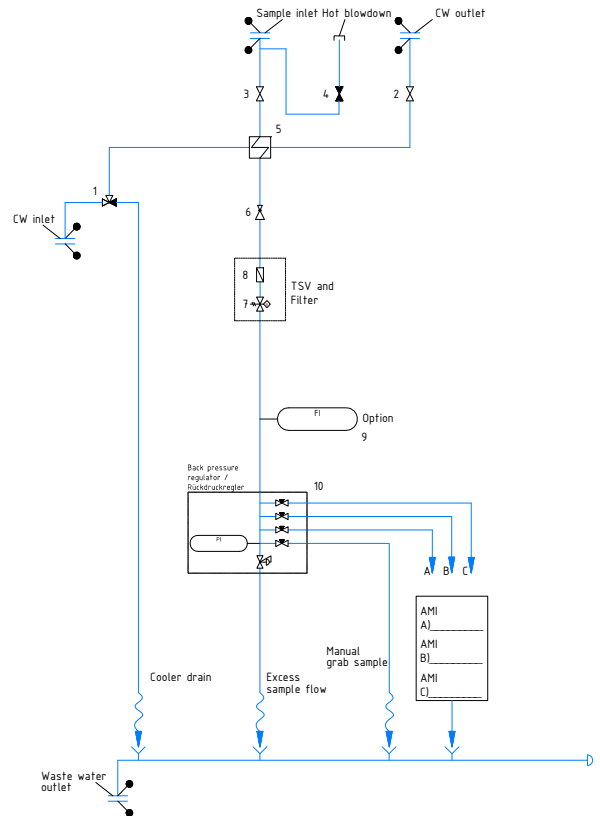
Base frame:

- Stainless steel base (1.4301)
 - Wall mounted frame
WxHxD ~ 1500x1250x300mm or
 - Stand-alone rack
WxHxD ~ 1500x1800x600mm
- For indoor installations
- Equipped with profiles for easy mounting of the sampling and instrument panels (1190mm available width for instrumentation)

Sample conditioning:

Conditioning panel for water or steam samples up to 540°C and 150bar including:

- Cooling water valves (1, 2)
- Shut-off (3) and blow-down valves (4)
- Sample cooler (5)
- Flow regulation valve (6)
- Temperature safety valve TSV Sentry or Therm-Omega-Tech (7) with filter (8)
- Sample flow indicator (9, optional)
- Back-pressure regulator with 4 channel sample distributor (10)



Analyzer and Stand-alone rack optional



Requirements:

Environment: Indoor, 5-45°C, non condensing

Cooling water: Demin Water or Soft Water with chloride level <25ppm.
 Supply pressure 3-16 bar, differential pressure min. 1bar
 Temperature max 40°C
 Flow 1-1.5m³/h (water samples), 2-2.5m³/h (steam samples).

Sample: Water or Steam T<540°C, 3<P<150bar from water-steam cycles.
 No corrosive contaminants or coarse particles allowed.

Sample blow-down: Connection to a closed collector at atmospheric or low pressure is recommended, especially for samples with periodic solid content.

Consult SWAN Systeme sales department if in doubt about any of the above conditions.
 Safe and reliable system operation can only be guaranteed if all conditions are fully met.

Mechanical Interfaces:

Interface	Connection type
Cooling Water Inlet / Outlet	1/2" ISO female pipe thread
Sample Inlet	Models F-301956, F-301957 and F-304045: Compression fitting for 1/4" tube Model F-301950: Compression fitting for 3/8" tube
Sample blow-down	1/4" compression fitting with plug
Sample to instruments	3x compressions fittings for 1/4" tube for connection to instruments
Cold Drain	ISO pipe thread 1"R